

- > **Port size: 3/4" ... 1 1/2"**  
(ISO G/PTF)
- > **Non-rising adjusting knob has snap-action lock**
- > **Diaphragm and balanced valve design ensure good regulation characteristics**



### Technical features

#### Medium:

Compressed air only

#### Maximum operating pressure:

20 bar (290 psi)

#### Pressure range:

(standard)

0,4 ... 8 bar (5.8 ... 116 psi)

(optional)

0,3 ... 4 bar (4.3 ... 58 psi),

0,7 ... 17 bar (10 ... 246 psi)

#### Port size:

G3/4, G1, G1 1/4, G1 1/2,  
3/4 NPT, 1 NPT, 1 1/4 NPT,  
1 1/2 NPT

#### Gauge port:

1/8 PTF with PTF main ports  
Rc1/8 with ISO G main ports



#### Flow:

See table below

#### Relieving:

With standard,  
Non-relieving optional

#### Standard compliances:

 II 2G Ex h IIC T6 Gb  
 II 2D Ex h III C T85° Db

#### Ambient/Media temperature:

-20° ... +80°C (-4° ... +176°F)

Version with gauge:

-20° ... +65°C (-4° ... +149°F)

Air supply must be dry enough to  
avoid ice formation at temperatures  
below +2°C (+35°F).

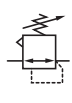
#### Materials:

Body, yoke and bonnet: Aluminium

Adjusting knob: Acetal resin

Elastomers: NBR

### Technical data, standard models with relieving

Symbol	Port size	Size	Pressure range (bar)	Flow *1) (dm³/s)	Adjustment	Weight (kg)	Model
	G3/4	—	0,4 ... 8	150	Knob	1,95	R68G-6GK-RLN
	G1	Basic	0,4 ... 8	170	Knob	1,89	R68G-8GK-RLN
	G1 1/4	—	0,4 ... 8	170	Knob	1,93	R68G-AGK-RLN
	G1 1/2	—	0,4 ... 8	170	Knob	1,97	R68G-BGK-RLN
	Without yoke	—	0,4 ... 8	—	Knob	1,16	R68G-NNK-RLN

\*1) Typical flow with 10 bar (145 psi) inlet pressure, and 6,3 bar (91 psi) set pressure and 1 bar (14.5 psi) drop from set.

### Option selector

R68G-★ ★ ★ - ★ ★ ★

Port size	Substitute	Gauge	Substitute
3/4"	6	With	G
1"	8	Without (standard)	N
1 1/4"	A	Pressure range (bar) *2)	Substitute
1 1/2"	B	0,3 ... 4	F
Without yoke	N	0,4 ... 8 (standard)	L
Thread	Substitute	0,7 ... 17	S *3)
ISO G (standard)	G	Diaphragm	Substitute
PTF	A	Relieving (standard)	R
Without yoke	N	Non-relieving	N
Adjustment	Substitute		
Knob (standard)	K		
T-bar (0,7 ... 17 bar)	T		

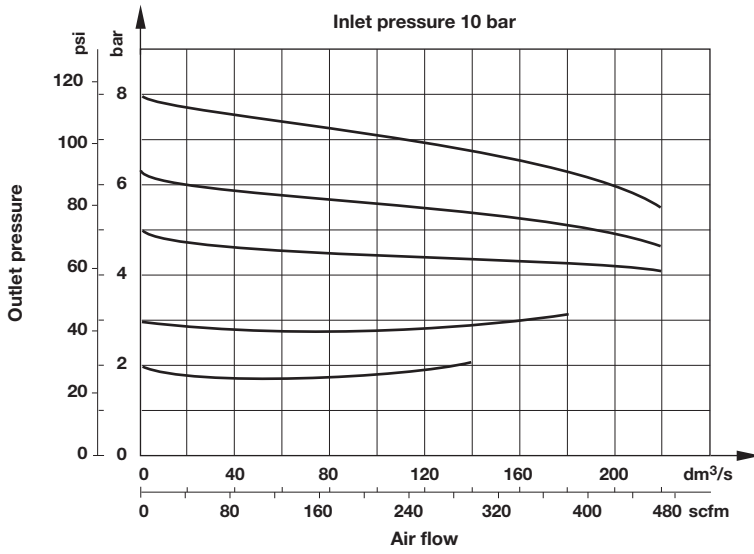
\*2) Outlet pressure can be adjusted to pressures in excess of and less than, those specified. Do not use these units to control pressures outside of the specified ranges.

\*3) Units with 17 bar (246 psi) outlet pressure range are available only with the T-bar adjustment; therefore substitute T at the 7th digit and S at the 9th position.

### Flow characteristics

Port size 1"

Pressure range 0,4 ... 8 bar



Accessories, service kit and gauges

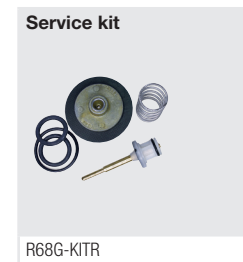


Accessories

	Single yoke	Double yoke	End connector kit	Single yoke non threads	3/2 Shut-off valve Threaded inlet only	Threaded outlet only	Bracket mounting
Thread	5	5	2	5			1
G3/4	Y68A-6GN-N1N	Y68A-6GN-N2N	5524-55	74785-98	T68H-6GB-B2N	T68H-6GC-B2N	18-001-979
G1	Y68A-8GN-N1N	Y68A-8GN-N2N	5524-52		T68H-8GB-B2N	T68H-8GC-B2N	18-001-979
G1 1/4	Y68A-AGN-N1N	Y68A-AGN-N2N	5523-52		T68H-AGB-B2N	T68H-AGC-B2N	18-001-978
G1 1/2	Y68A-BGN-N1N	Y68A-BGN-N2N	5523-93		T68H-BGB-B2N	T68H-BGC-B2N	18-001-972
3/4 PTF	Y68A-6AN-N1N	Y68A-6AN-N2N	5524-53		T68H-6AB-B2N	T68H-6AC-B2N	18-001-979
1 PTF	Y68A-8AN-N1N	Y68A-8AN-N2N	5524-50		T68H-8AB-B2N	T68H-8AC-B2N	18-001-979
1 1/4 PTF	Y68A-AAN-N1N	Y68A-AAN-N2N	5523-50		T68H-AAB-B2N	T68H-AAC-B2N	18-001-978
1 1/2 PTF	Y68A-BAN-N1N	Y68A-BAN-N2N	5523-95		T68H-BAB-B2N	T68H-BAC-B2N	18-001-972

Nut	Tamper resistant cap & seal wire	Porting block	Padlock with two keys
4	3		
5520-89	4355-51	18-026-986 (G1/4 & G1/2)	0613633 (brass)

Service kit



Gauges

Center back connection, white face (full technical specification see datasheet 8.900.900)

6

Pressure range bar *1)	MPa	psi	Ø	Thread size	Model
0 ... 4	0 ... 0,4	0 ... 58	50 mm	R1/8	18-015-011
0 ... 10	0 ... 1	0 ... 145	50 mm	R1/8	18-015-013
0 ... 25	0 ... 2,5	0 ... 362	50 mm	R1/8	18-015-014

Center back connection, black face for North America (full technical specification see datasheet 8.900.900)

6

Pressure range psig *1)	bar	MPa	Ø	Thread size	Model
0 ... 60	0 ... 4	0 ... 0.4	2" (50 mm)	1/8 NPT	18-015-202
0 ... 160	0 ... 11	0 ... 1.1	2" (50 mm)	1/8 NPT	18-015-204
0 ... 400	0 ... 28	0 ... 2.8	2" (50 mm)	1/8 NPT	18-015-206

\*1) primary scale

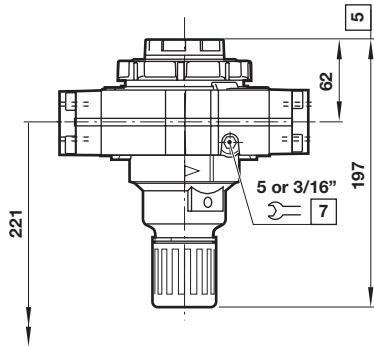
\*1) primary scale

Dimensions

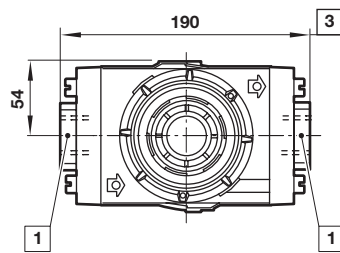
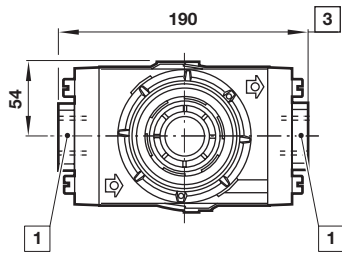
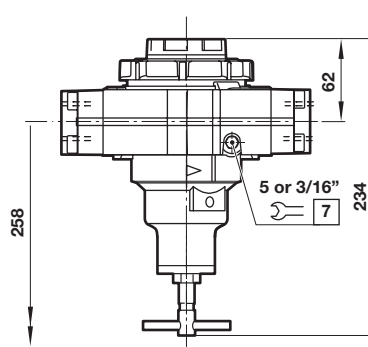
Dimensions in mm  
Projection/First angle



Standrad



T-bar



# Minimum clearance required to remove unit from yoke

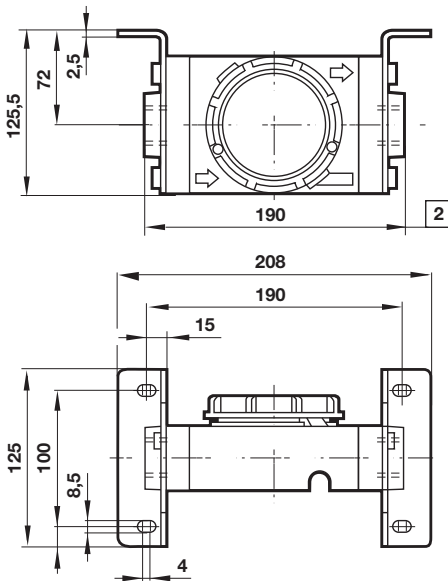
1 Main ports 3/4", 1", 1 1/4" or 1 1/2"

3 Plus 10 mm for ports 1 1/4" or 1 1/2"

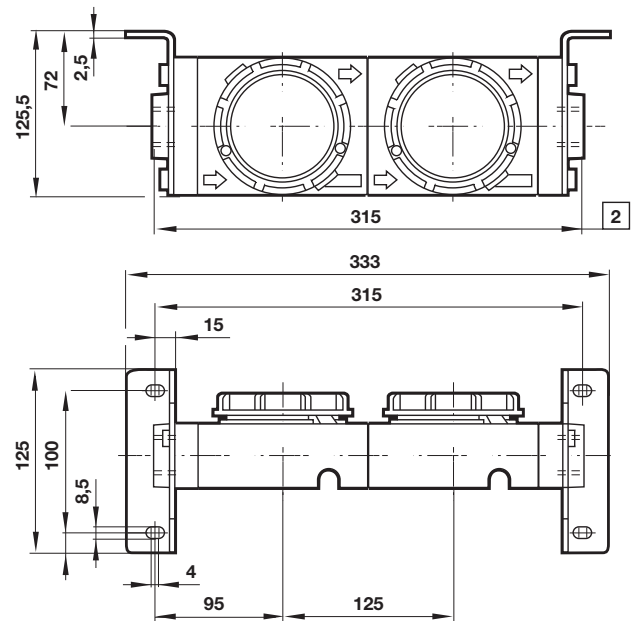
5 Reduces by 4 mm with knob in locked position

7 Gauge port 1/8"

Single yoke with bracket

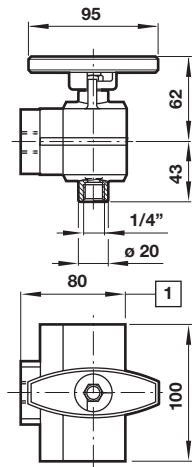
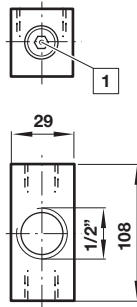


Double yoke with bracket



2 For 1 1/4" and 1 1/2" ported yokes add 10 mm

2 For 1 1/4" and 1 1/2" ported yokes add 10 mm

**3/2 Shut-off valve**

**Porting block**

 Dimensions in mm  
Projection/First angle


1 For 1 1/2" ported yokes add 5 mm

1 Two additional plugged G1/4 ports

**Warning**

These products are intended for use in industrial compressed air systems only. Do not use these products where pressures and temperatures can exceed those listed under »**Technical features/data**«.

Before using these products with fluids other than those specified, for non-industrial applications, life-support systems or other applications not within published specifications, consult IMI Precision Engineering, IMI International s.r.o.

Through misuse, age, or malfunction, components used in fluid power systems can fail in various modes. The system designer is warned to consider the failure modes of all component parts used in fluid power systems and to provide adequate safeguards to prevent personal injury or damage to equipment in the event of such failure.

System designers must provide a warning to end users in the system instructional manual if protection against a failure mode cannot be adequately provided.

System designers and end users are cautioned to review specific warnings found in instruction sheets packed and shipped with these products.